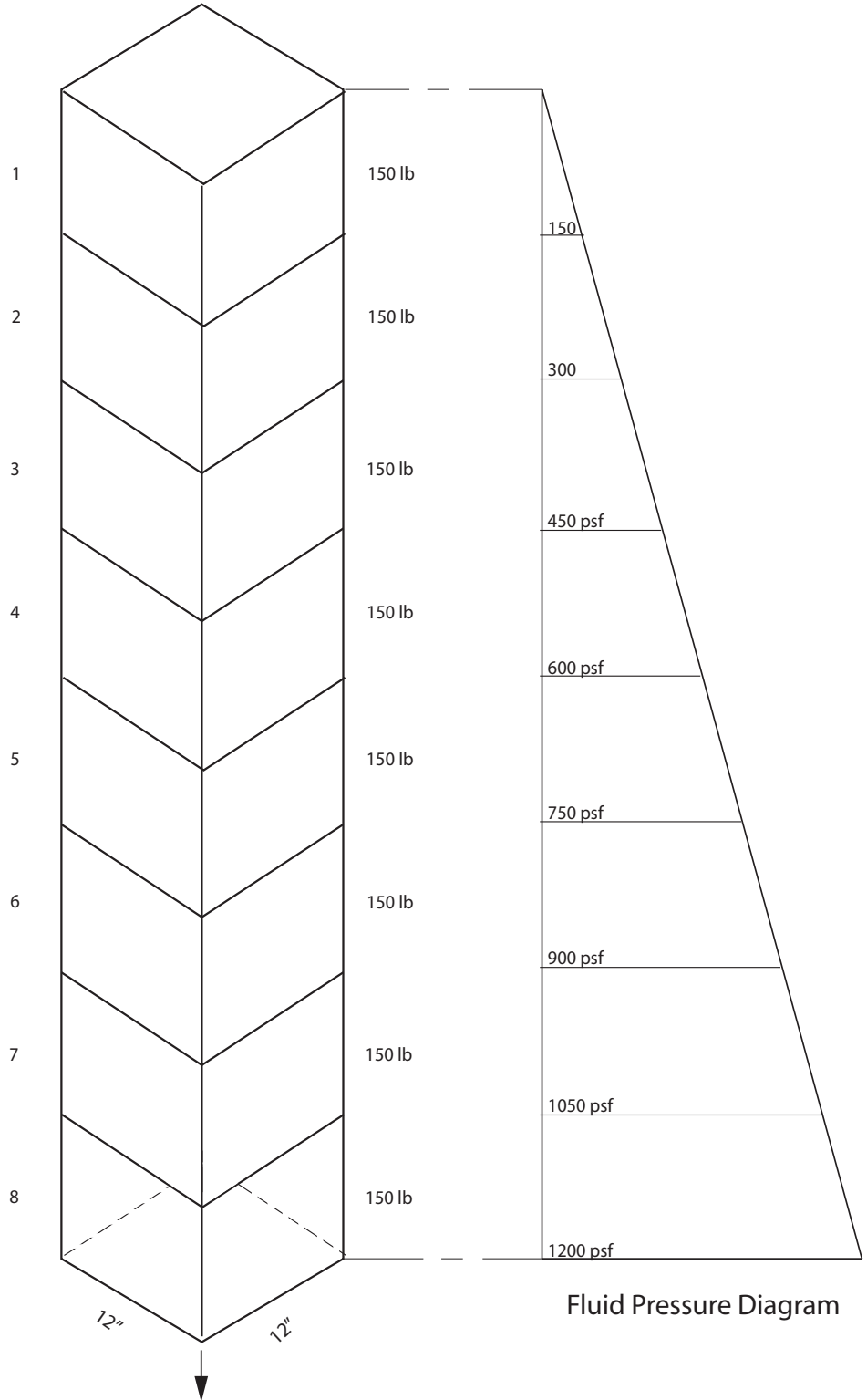
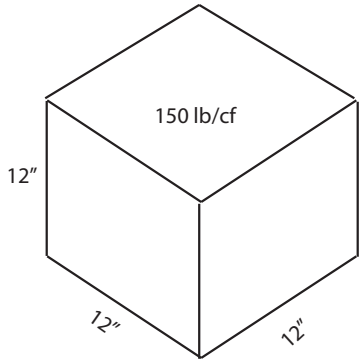




CONCRETE PRESSURE



8' Tall x 150 lb/cf = 1200 lb/sf or psf